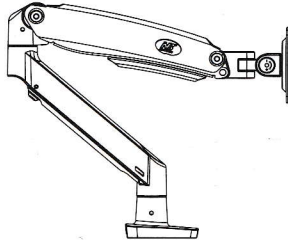




Ergonomic desktop display mount installation instructions



F100A
Fits Most Monitors Size: 22"~35"
Max Load: 4.4~26.4 lbs (2~12kg)
VESA: 75x75, 100x100mm



- Severe personal injury and property damage can result from improper installation or assembly. Read the following warning carefully before beginning.
- Products must be installed by professional or installer.
 - If you do not understand the instructions or have any concerns or questions, please contact a qualified local installer.
 - Do not install or assemble if the product or hardware is damaged or missing, if you require replacement parts, please contact your local distributor for assistance.
 - This product fits most 22"-35" LCD / monitor; maximum weight of LCD / monitor: 12 kg / 26.4 lbs.
 - Installer-friendly and straight forward.
 - For safe installation, the desk you are mounting to must support minimum 3 times the weight of the total load (the mount, the monitor and all accessories weight).
 - Do not use this product for other than the original designed.
 - This product contain moving parts, please use with caution.
 - When installing monitor, please do not damage electrical wiring or power source.
 - Installation and routing of monitor cables on the monitor bracket must comply with electro-technical regulations.
 - Importantly, mains- and data-cables must be secured against twisting and squeezing or shearing.
 - The manufacturer will bear no responsibility to the desk of mounting, or incidental or consequential damages arising thereof.
 - The manufacturer disclaims any liability for the modifications, improper installation, or installation over the specified weight range. The manufacturer will not be liable for any damages arising out of the use of, or inability to use, the product.
 - This product is designed for indoor used only, use of this product outdoor could lead to product failer and severe personal injury.
 - ▲ This product contains a high pressure gas spring, fire and percussion prohibited. Also it is strictly prohibited to dismantle without professionals. Please return to the manufacturer or hand over to professional agencies if the product is abandoned. In order to ensure the performance of gas spring, full direction adjustment of the product arm is recommended several times per month.

We reserve the right to modify or alter instructions. No modification or alteration without formal notice.

Symbols

	Tightening Direction loosening Direction		+ : Torque increased - : Torque reduced
	拧紧方向 拧松方向		+ 定点恒力加大 - 定点恒力减小
	Tightening Direction loosening Direction		+ : Torque increased - : Torque reduced
	拧紧方向 拧松方向		+ 定点恒力加大 - 定点恒力减小
	Phillips Screwdriver		By Hand
	螺丝起子		用手
	Open-End Wrench		Hex Wrench
	开口扳手		六角扳手
	Adjustment		Pencil
	调整		铅笔
OPT	Optional	NOTE	Reminder
OPT	可选	NOTE	提示
	Warning		Hand Drill
	警告		手电钻
	Remove		Star Wrench
	移开		安全扳手
	Beware		out or in
	提示		出或入

F100A

Installation Manual

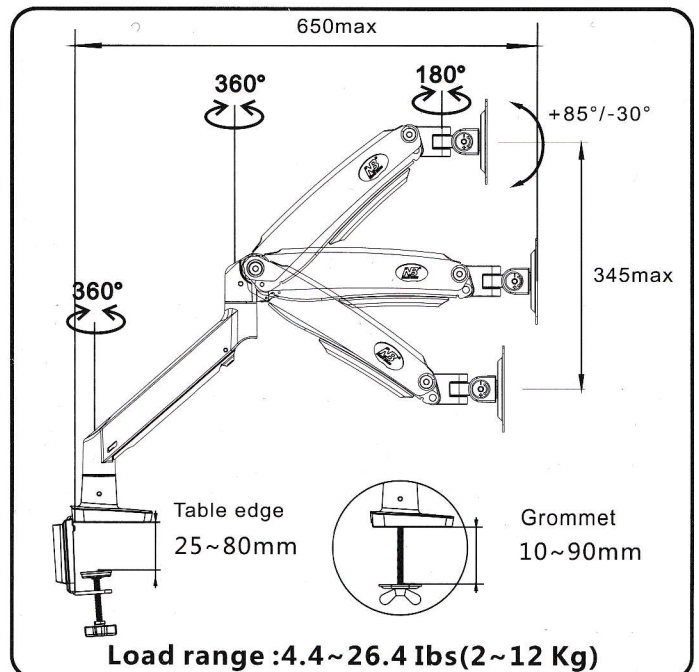
Table Edge Installation

Grommet Installation

Part list

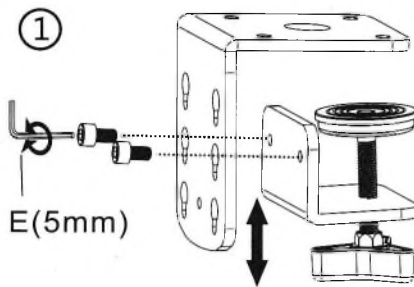
1		5			
2		6			
3		7			
A		B		C	
4x M4x12		4x M5x12		4x M6x12	
D	E	F	G		
Butterfly nut	3mm	Locking plate	M8x38		
	4mm	H			
Carriage Bolts	5mm	Pressure plate		Ø16xØ8.2x1.5	

A. Adjustable Parameters

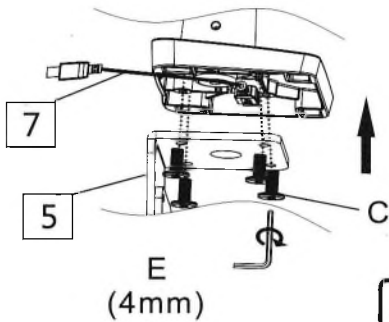


B1, Table Edge Installation

Step 1

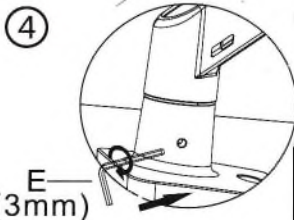
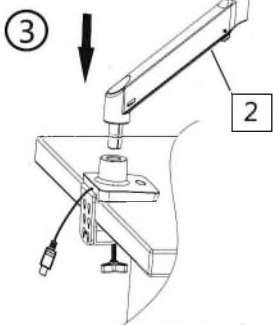
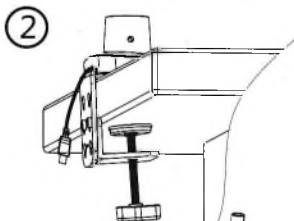
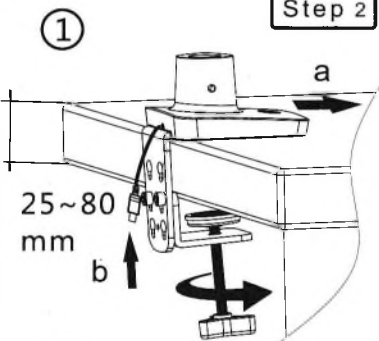


②

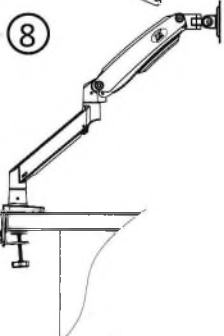
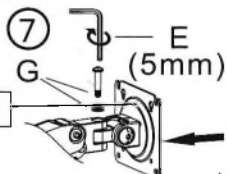
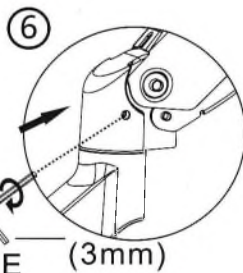
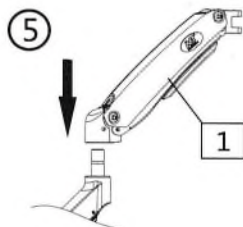


Warning:
Ensure screws are secured firmly.

Step 2

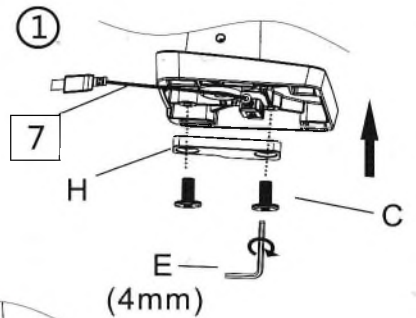


Warning:
Tighten set screw flush with surface.

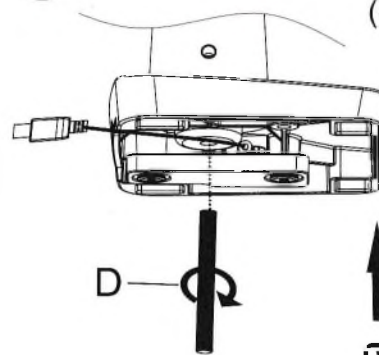


B2, Grommet Installation

Step 1

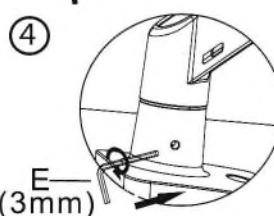
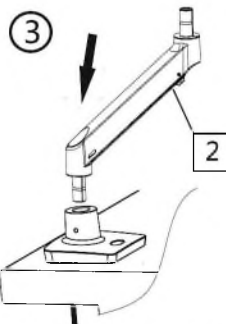
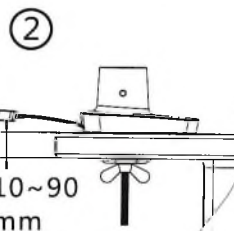
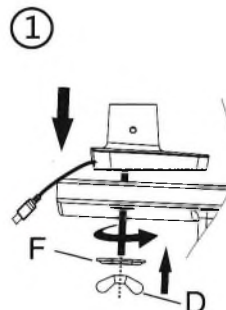


②

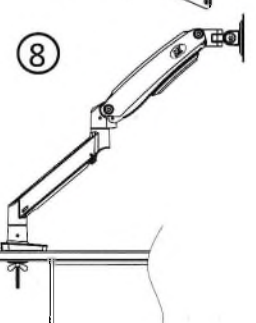
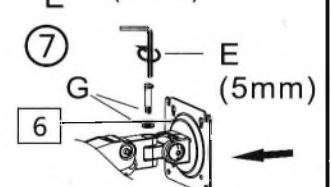
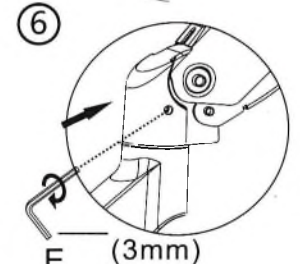
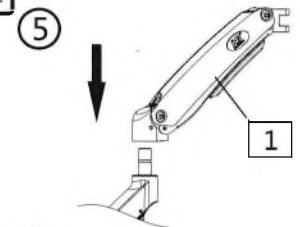


Warning:
Ensure screws are secured firmly.

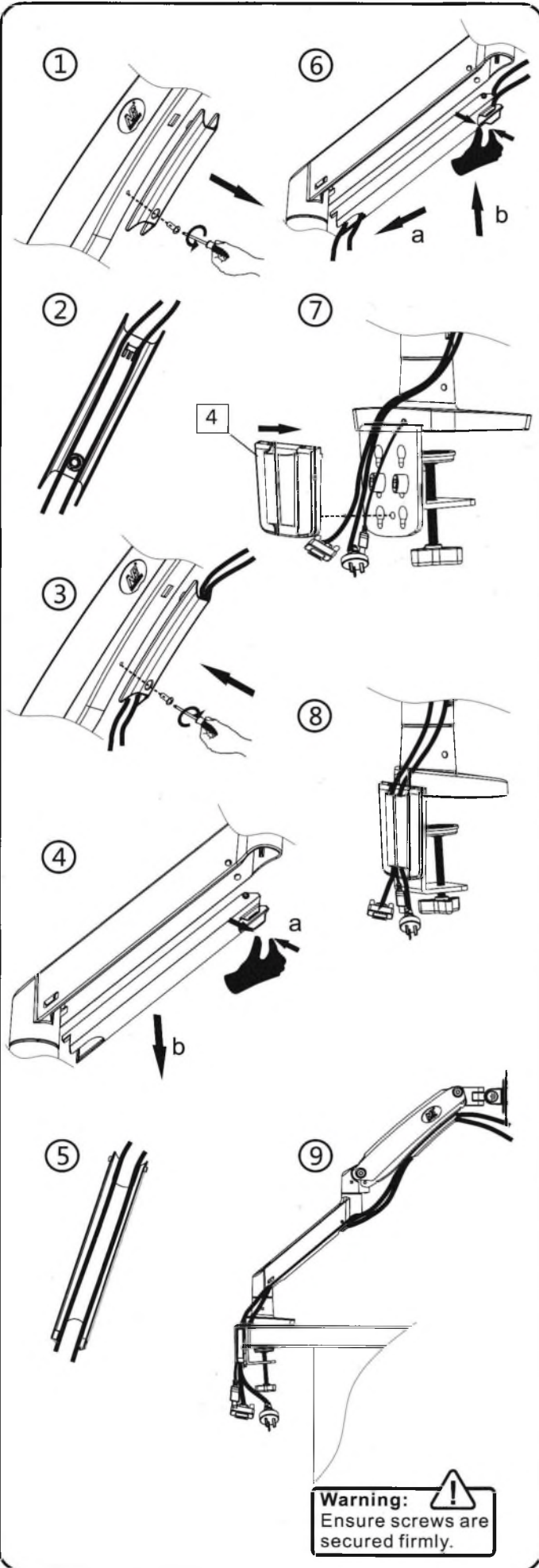
Step 2



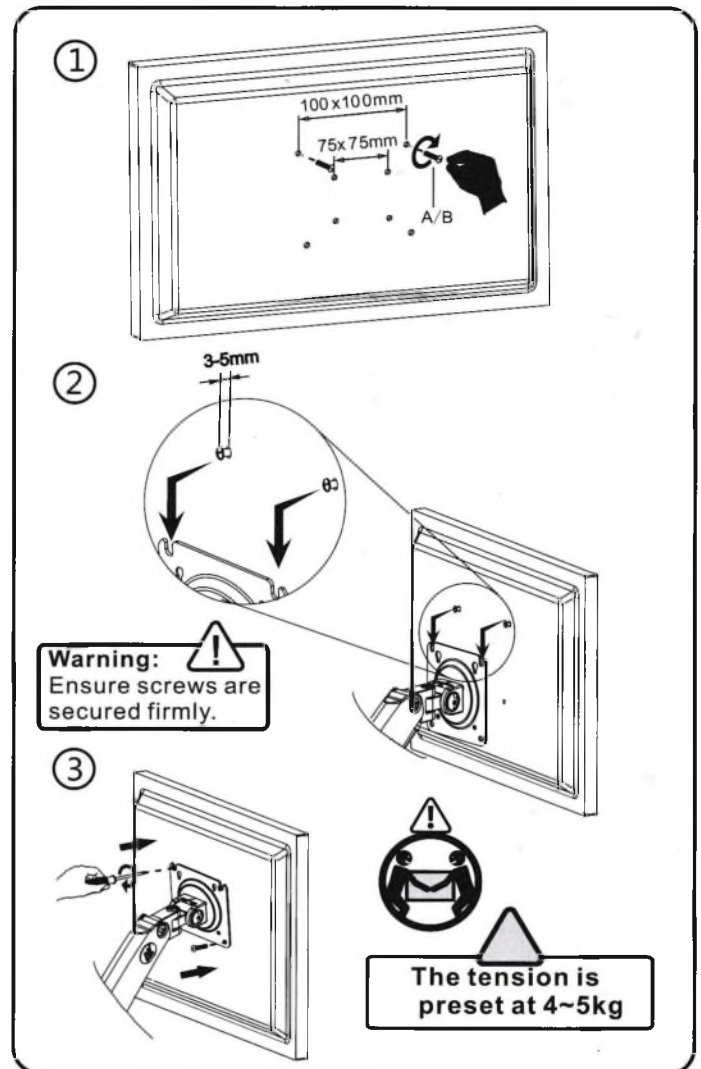
Warning:
Tighten set screw flush with surface.



C. Power and Display Lines Installation

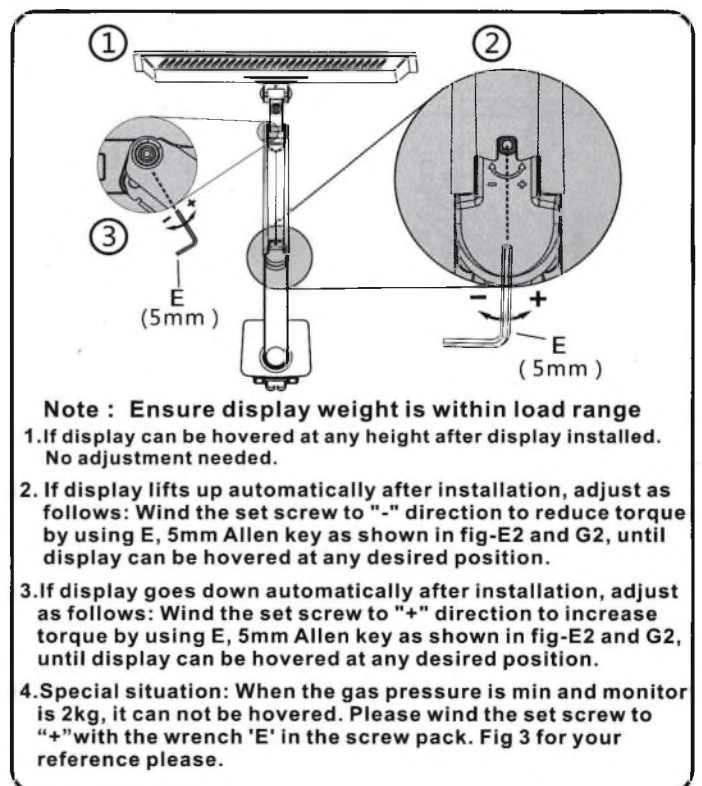


D. Display Installation

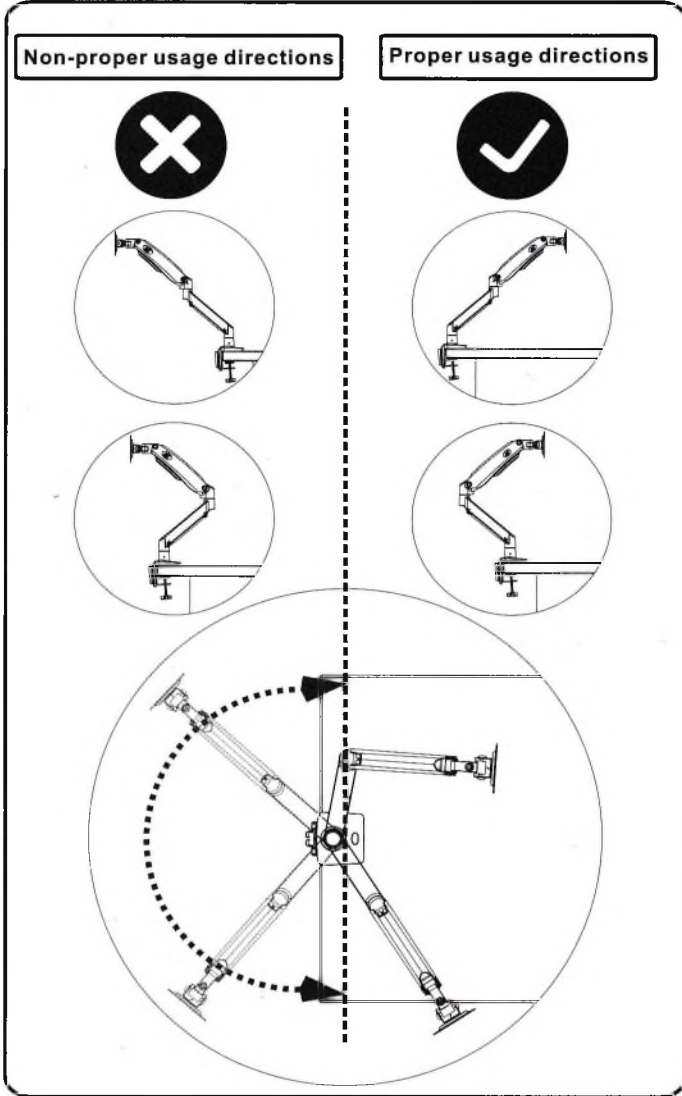


E. Torque Adjustment

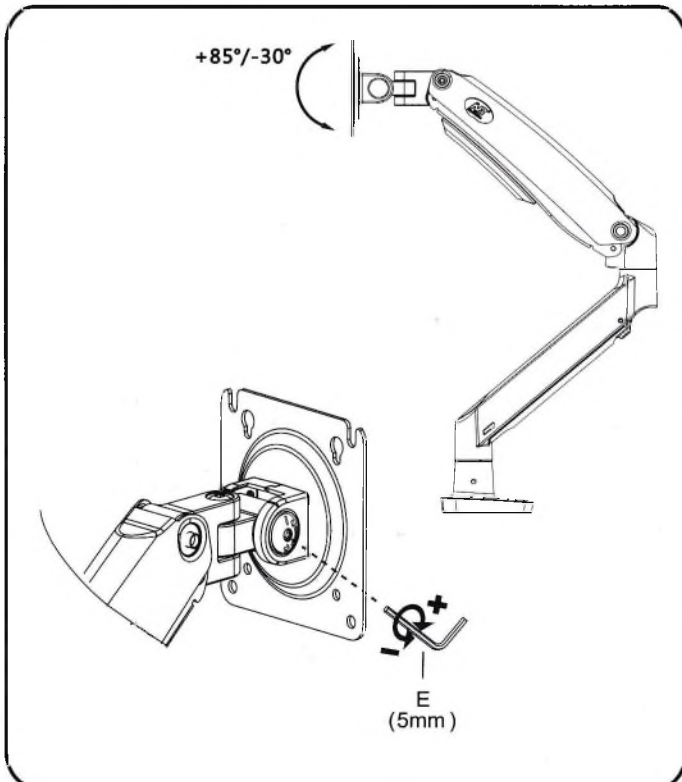
- "+" : Torque increase direction shown fig-2
- "-" : Torque decrease direction shown fig-2



F. Rotation Restriction



G. Display Adjustment



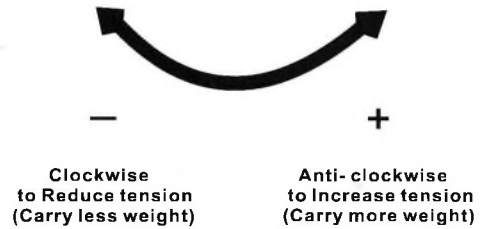
TENSION ADJUSTMENT AFTER MOUNT INSTALLED



Do not adjust tension without putting on display.

1. Ensure display has been put onto mount.
2. Read your display packaging or manual to find out display net weight.
3. Ensure display net weight between 4.4-26.4 lbs(2-12 kg)

Adjustment sign



Warning !



NB[®]
NORTH BAYOU
www.new-nb.com

KunshanHongjie Electronics Co., Ltd.
1050, FuChunJiangRoad, Economic Development Zone
Kunshan City, Jiangsu Province. China. 215333
Mail: info@nbavmount.com
www.new-nb.com